

Mechanical thermostat

Art. 9040

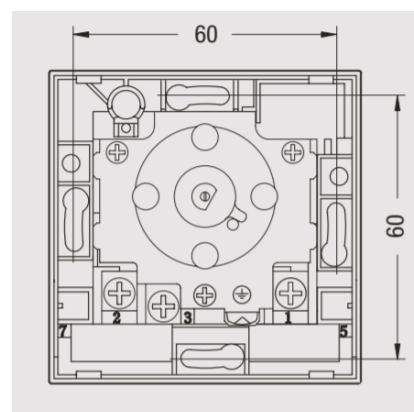
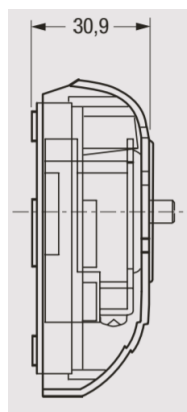
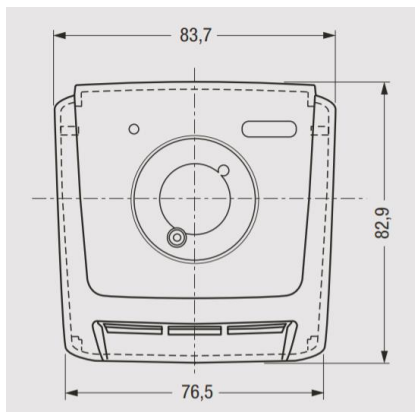


100% MADE IN ITALY 

Function Pintossi+C room thermostat is a mechanical gas membrane thermostat with knob for wall installation. It is designed to regulate the temperature in heating mode during winter season.

Technical specifications	Setting range:	20-90°C
	Differential:	1,3°C (+/- 0,2°C)
	Capacity of the contacts:	16(2,5) A / 250 Vac
	Max head temperature:	80°C
	Class (2014/C 207/02):	Class I
	Protection degree:	IP 20
	Relè number:	1
	Capacity of the contacts with resistive load to 250 V AC:	16 (2,5)

Dimensions



Electrical
scheme

